



SM269 4-POLE, 12V CONTACTOR INFORMATION BRIEF

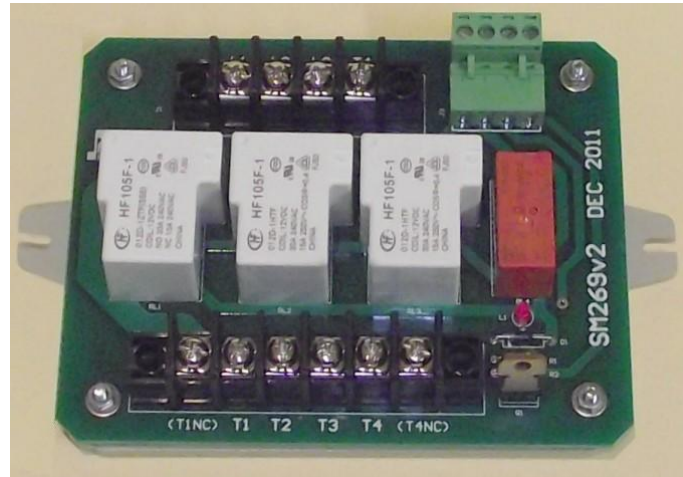
Release 2.0, November 2011

Manufactured in Australia by Alian Electronics Pty. Ltd.
408 Old Sale Rd. Drouin West 3818 Ph. (613) 5625 2545

also visit www.alianelectronics.com.au for other pump control products

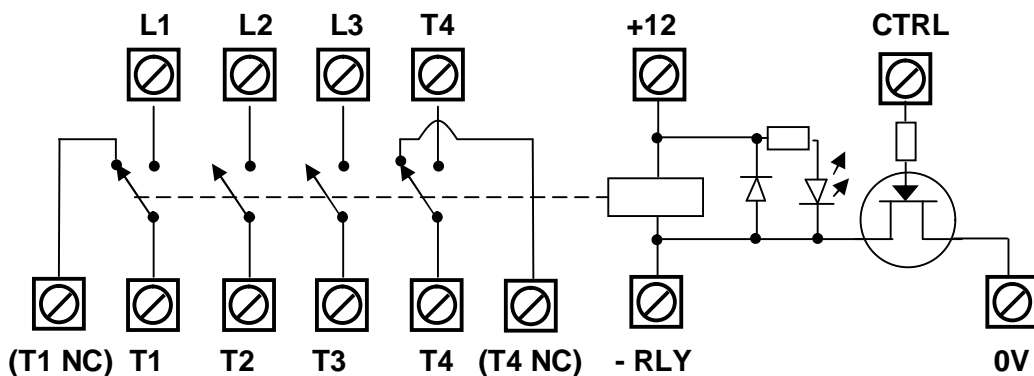


N12656



GENERAL DESCRIPTION:

The SM260 is a 4-pole AC Contactor capable of operating from a 12V D.C. supply. It may be triggered by either directly accessing the 12VDC coils of these relays, or by sending a +5V logic-level control signal to the module, which uses the on-board MOSFET to drive the relays. A red led Status indicator shows when the contactor is energised. See diagrams on Page 2 for common configurations.



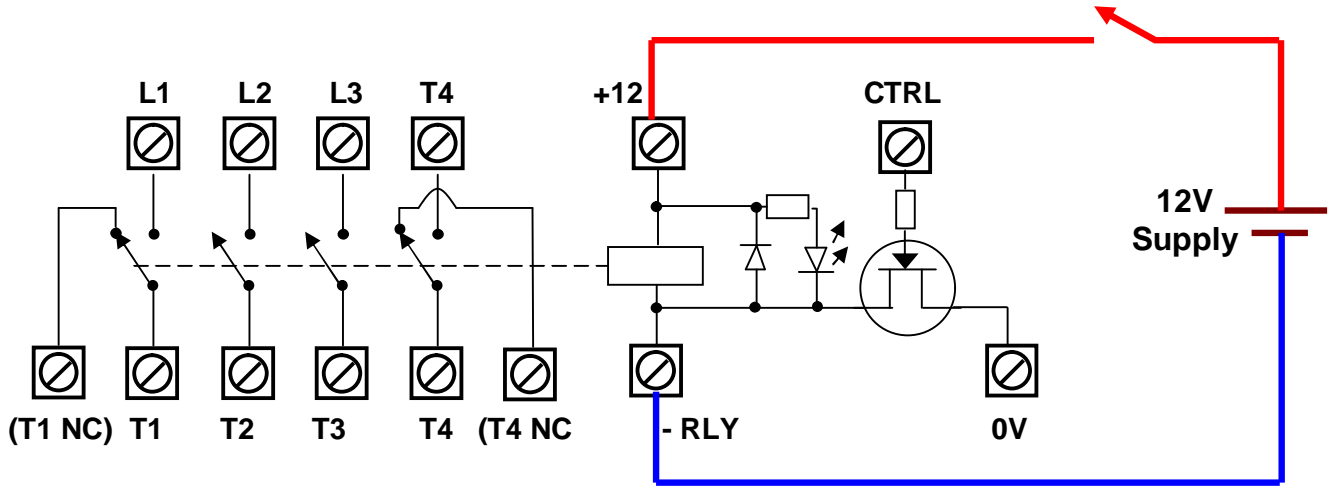
This contactor is suitable for driving AC loads where insufficient supply is available to hold in conventional contactors during motor start events. The relay coils may be directly accessed via the +12 and -RLY terminals, or by applying 12V to the +12V and 0V terminals, then providing a low-current +5V signal to the CTRL input.

Effective coil resistance:.....43 ohms
Coil current at 12V.....280 ma
L1-L3 contact rating.....15 Amps @ 415V
N/O contact rating.....10A @ 240V

visit: www.alianelectronics.com.au for more information on our products

COMMON WIRING CONFIGURATIONS

Providing D.C. 12 Volts direct to contactor coils:



Providing +5V Logic Level control of contactor coils:

